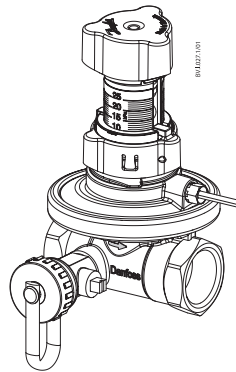
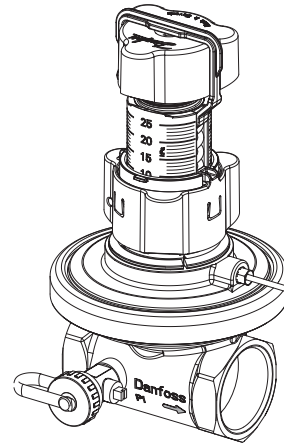


Operating Guide / Инструкция

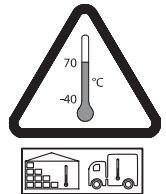
APT DN 15-50



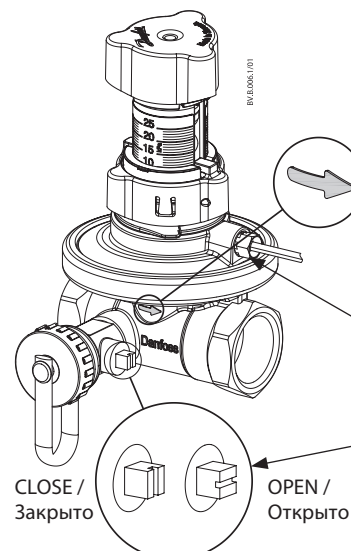
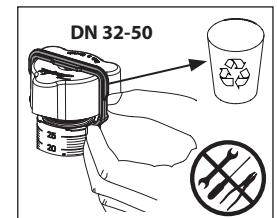
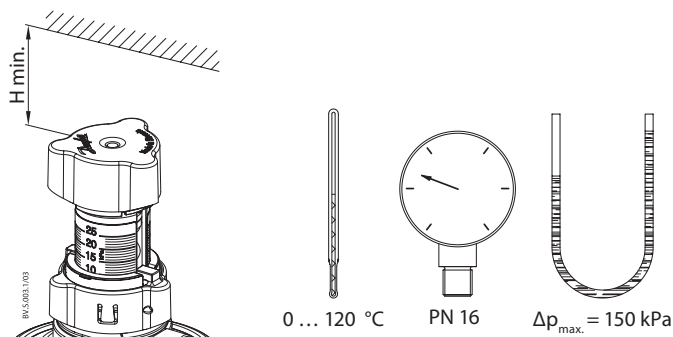
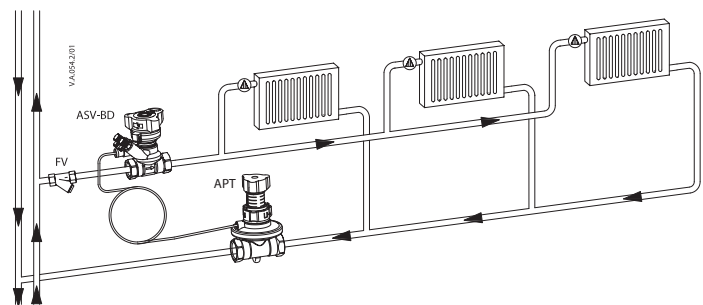
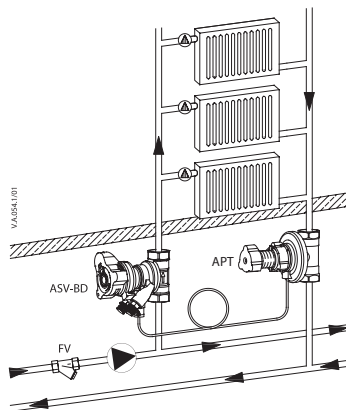
DN 15-25



DN 32-50



Installation / Монтаж



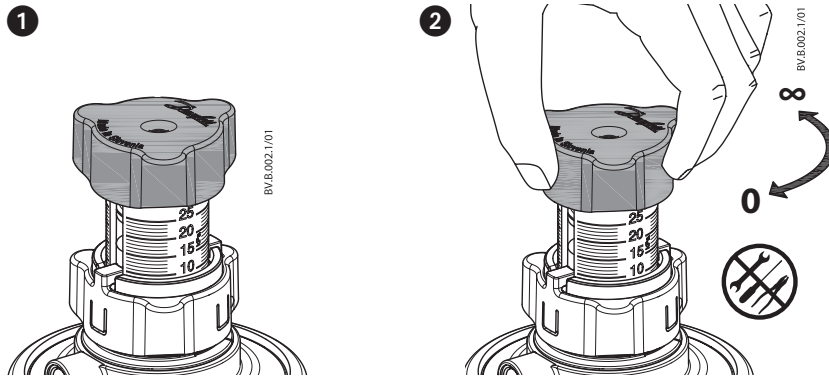
	5-8 Nm	<input type="checkbox"/>
	8 mm	<input type="checkbox"/>

	5 mm	<input type="checkbox"/>
	3.5 - 4.5 mm × 0.7 mm	<input type="checkbox"/>

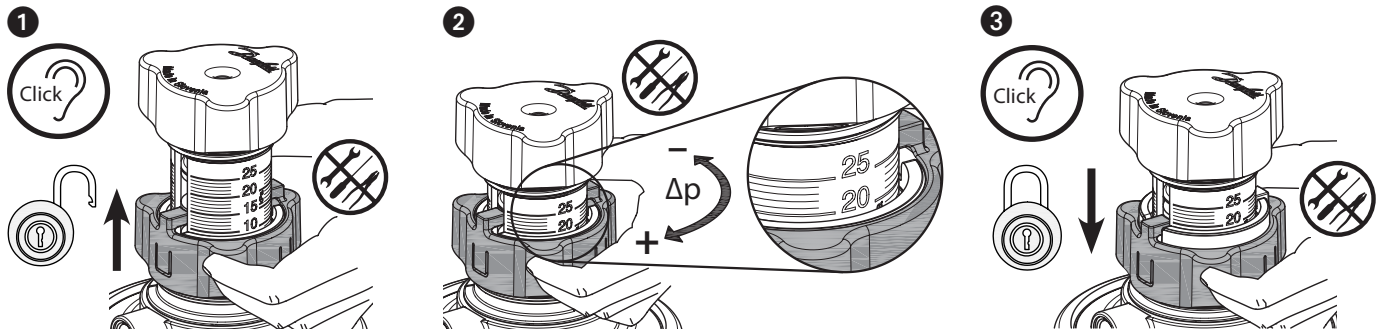
DN	H min.	Int. thread / Внутр. резьба ISO 7/1	Ext. thread / Наруж. резьба ISO 228/1
15	80	Rp ½	G¾ A
20	80	Rp ¾	G1 A
25	100	Rp 1	G1¼ A
32	150	Rp 1¼	G1½ A
40	150	Rp 1½	G1¾ A
50	150	Rp 2	G2¼ A

APT DN 15-50

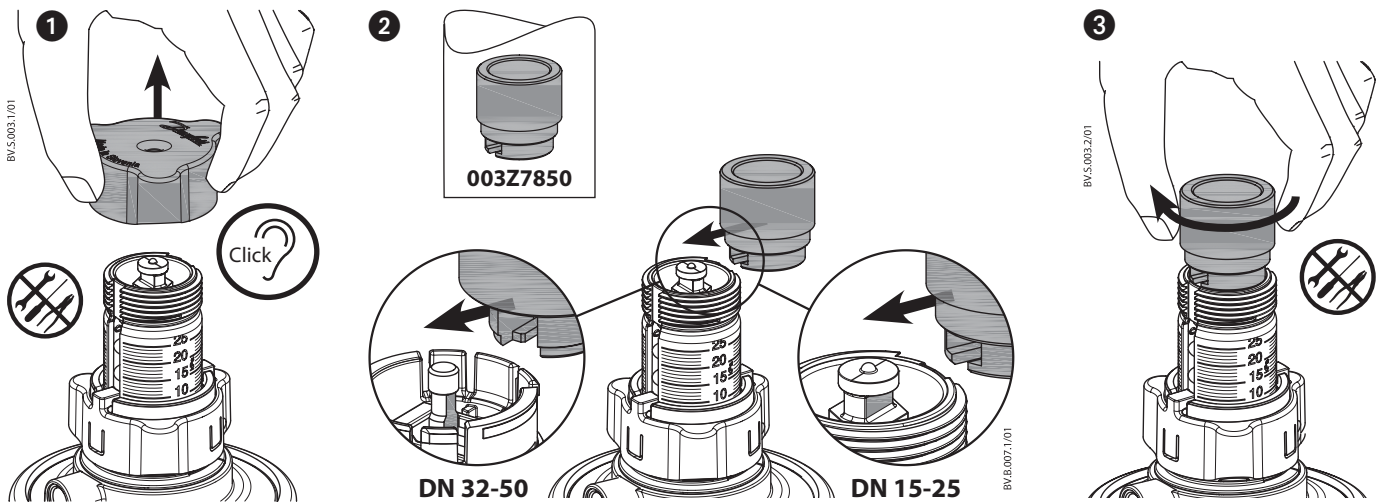
Shut off / Отключение



Setting / Настройка



Flushing / Промывка



Danfoss can accept no responsibility for possible errors in catalogues, brochures and other printed material. Danfoss reserves the right to alter its products without notice. This also applies to products already on order provided that such alterations can be made without consequential changes being necessary in specifications already agreed. All trademarks in this material are property of the respective companies. Danfoss and the Danfoss logotype are trademarks of Danfoss A/S. All rights reserved.